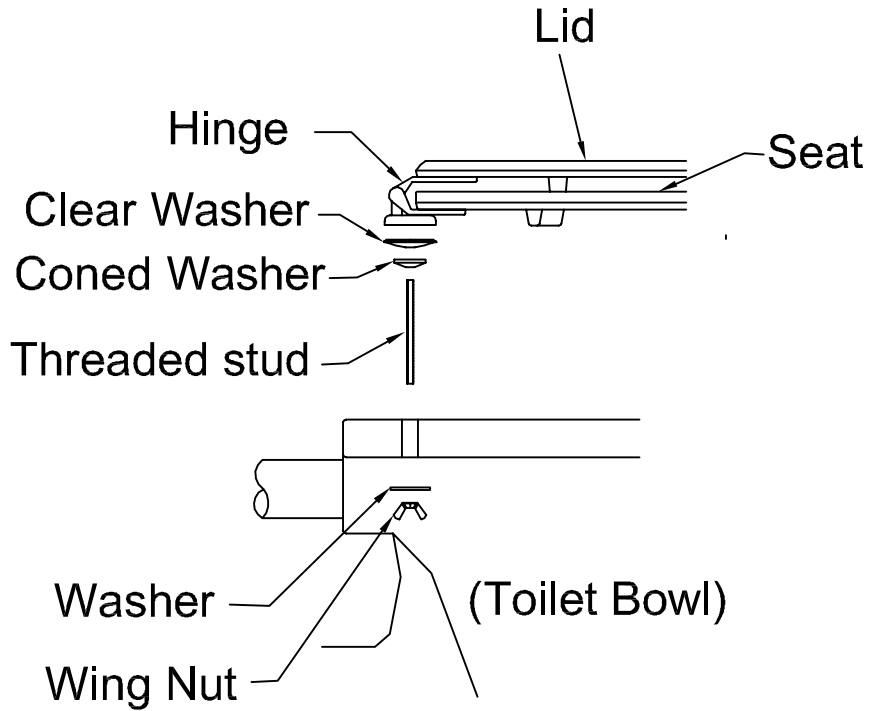
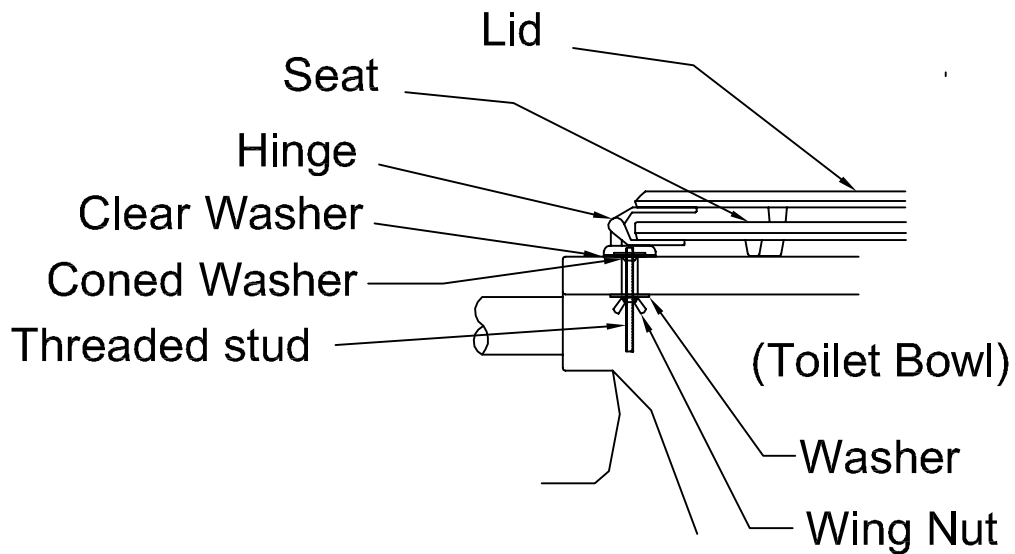


## Range of adjustment



## Exploded View



## Fully Assembled